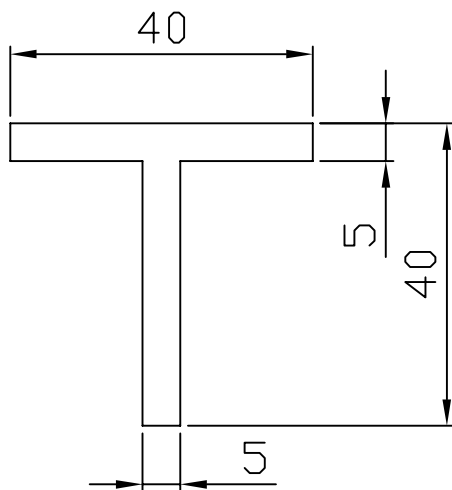


30 x 30 x 4 Tee Section

Kgs/Mtr = 1.82

Mtrs / Length = 6.0m

Cut to Length, or full length

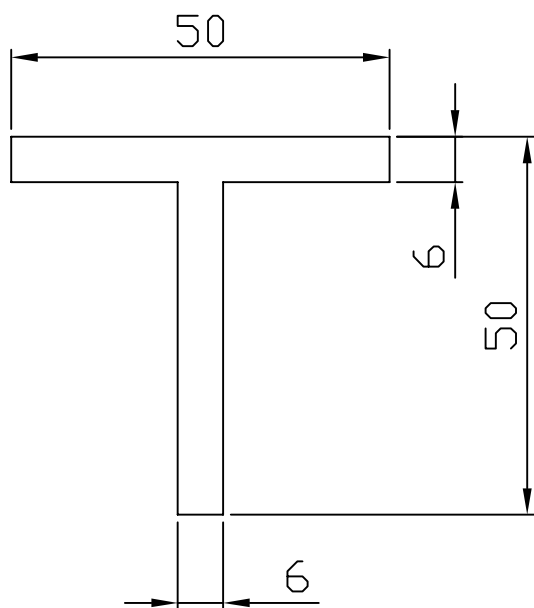


40 x 40 x 5 Tee Section

Kgs/Mtr = 1.82

Mtrs / Length = 6.0m

Cut to Length, or full length



50 x 50 x 6 Tee Section

Kgs/Mtr = 5.01

Mtrs / Length = 6.0m

Cut to Length, or full length